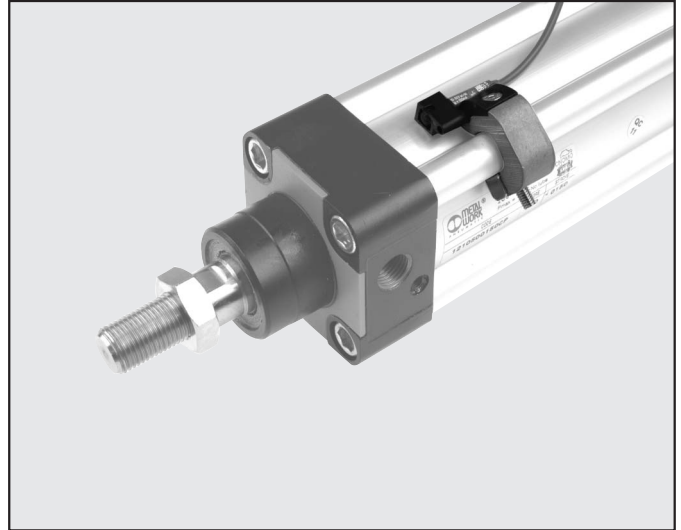


# RETRACTABLE SENSORS ON ISO 15552 (EX ISO 6431) CYLINDERS

Retractable sensors can also be mounted on ISO 15552 cylinders for all diameters, from Ø 32 to Ø 200. The same brackets as for conventional DSM sensors can be used, interposing an adapter.

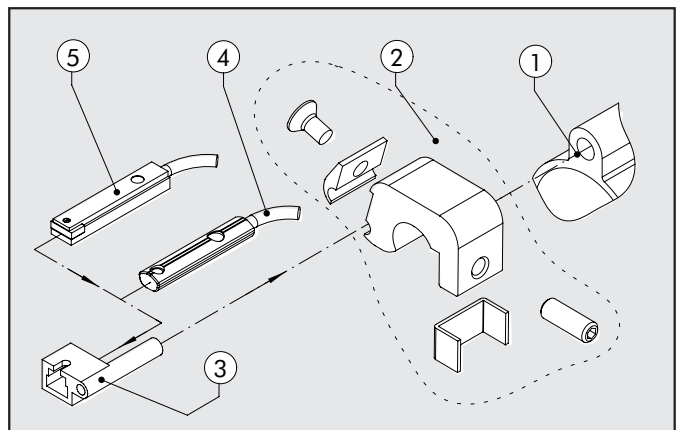
The following can be used:

- DSL retractable sensors
- retractable sensors with insertion from above ; the only exception is diameter 32 cylinders, which cannot be used as the magnetic field reading may be inaccurate.

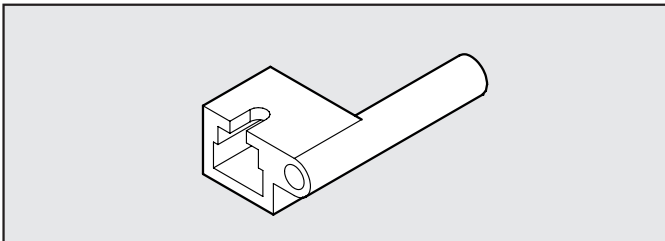


## ASSEMBLY DIAGRAM

- ① ISO 15552 cylinder with traditional barrel
- ② Sensor bracket mod. DST (Ø32 ÷ 125) and ST (Ø160 e 200)
- ③ Adaptor
- ④ Retractable sensor with insertion from above
- ⑤ Retractable sensor

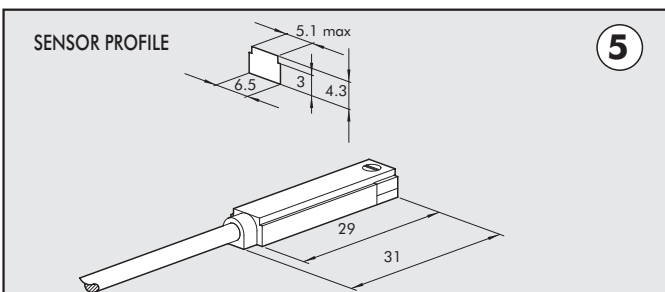


## ADAPTOR



Code	Description
W0950001001	Adaptor DSS005 for DST/ST brackets

## RETRACTING SENSOR (FOR Ø32 ÷ 200)



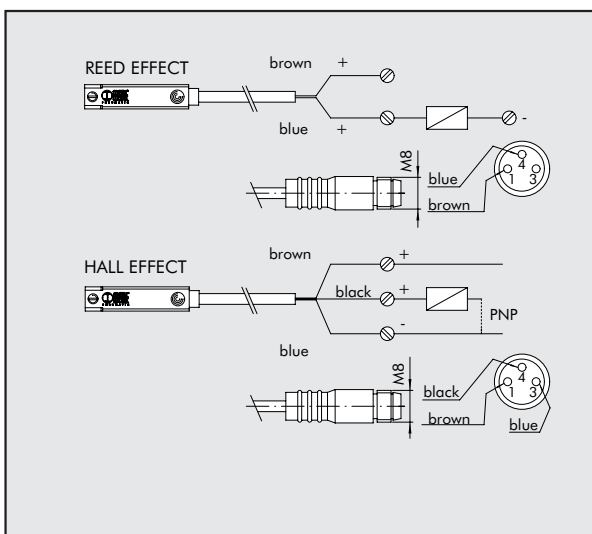
Code	Description
W0950025390	Hall sensor DSL, 3 wires, NO 2.5 m
W0950029394	Hall sensor DSL, 3 wires, NO 300 mm M8
W0950022180	REED sensor DSL, 2 wires, NO 2.5 m
W0950028184	REED sensor DSL, 2 wires, NO 300 mm M8

Note: Individually packed



**WIRING DIAGRAM**

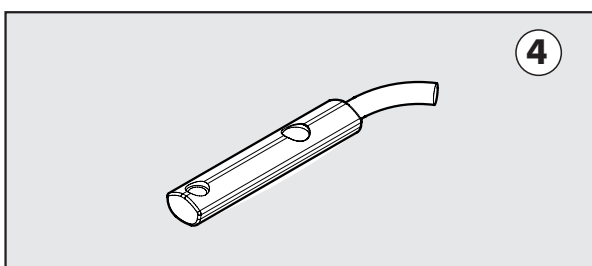
**TECHNICAL DATA**



	Reed	Hall effect
Type of contact	N.O.	N.O.
Switch	-	PNP
DC voltage range	V 3÷30	6÷30
AC voltage range	V 3÷30	-
Absorption	A 0.1	0.2
DC power	W 6	4
AC power	VA 6	-
Temperature range	°C -20 ÷ +85	
Activation time	s 0.5µs	0.8µs
Risk time	s 0.1µs	0.3µs
Life	imp 10 million	10 <sup>3</sup> million
Contact resistance	Ω 0.1	-
Degree of protection	IP 65	
Voltage drop	V 3	1
Number of wires	2	3

**RETRACTABLE SENSOR WITH INSERTION FROM ABOVE (FOR Ø40÷200)**

Code Description



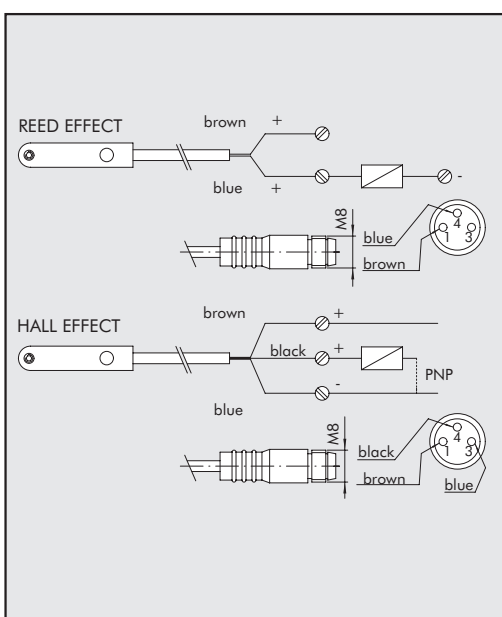
W0952025390	HALL N.O. SENSOR, VERTICAL INSERTION 2.5m
W0952029394	HALL N.O. SENSOR, VERTICAL INSERTION 300 mm M8
W0952022180	REED N.O. SENSOR, VERTICAL INSERTION 2.5m
W0952028184	REED N.O. SENSOR, VERTICAL INSERTION 300 mm M8
W0952125556	HALL N.O. SENSOR VETICAL INSERTION 2m ATEX

Note: Individually packed  
N.B.: NOT USE FOR CYLINDER Ø32

**WIRING DIAGRAM**

**TECHNICAL DATA**

**ATEX**



	Reed	Effetto Hall	Effetto Hall
Type of contact	N.O.	N.O.	N.O.
Switch	-	PNP	PNP
Supply voltage (U <sub>b</sub> )	V 10 ÷ 30 AC/DC	10 ÷ 30 DC	18 ÷ 30 DC
Power	W 3 (peak valve=6)	3	≤ 1.7
Voltage variation	-	≤ 10% di U <sub>b</sub>	≤ 10% di U <sub>b</sub>
Voltage drop	V -	≤ 2	≤ 2.2
Input current	mA -	≤ 10	≤ 10
Output current	mA ≤ 100	≤ 100	≤ 70
Switching frequency	Hz ≤ 400	≤ 5	1000
Short-circuit protection	-	Yes	Yes
Over-voltage suppression	-	Yes	Yes
Polarity inversion protection	-	Yes	Yes
EMC	EN 60 947-5-2	EN 60 947-5-2	EN 60 947-5-2
LED display	Yellow	Yellow	Yellow
Magnetic sensitivity	2,8 mT ±25%	2,8 mT ±25%	2.6
Repeatability	≤ 0,1 mT	≤ 0,1 mT	≤ 0,1 (U <sub>b</sub> and ta fixed)
Degree of protection (EN 60529)	IP 67	IP 67	IP 68, IP 69K
Vibration and shock resistance	30 g, 11 ms, 10÷55 Hz, 1mm	30 g, 11 ms, 10÷55 Hz, 1mm	30 g, 11 ms, 10÷55 Hz, 1mm
Temperature range	°C -25 ÷ +75	-25 ÷ +75	-20 ÷ +45
Sensor capsule material	PA66 + PA6I/6T	PA66 + PA6I/6T	PA
2.5m/2m connecting cable	PVC; 2 x 0,12 mm <sup>2</sup>	PVC; 3 x 0,14 mm <sup>2</sup>	PVC; 3 x 0,12 mm <sup>2</sup>
Connecting cable with M8x1	Polyurethane; 2 x 0,14 mm <sup>2</sup>	Polyurethane; 3 x 0,14 mm <sup>2</sup>	-
Wire NO.	2	3	3

METAL WORK S.p.A

Head office: Via Segni, 5-7-9 25062 - Concesio (Brescia) Italy - Tel. 030 21 87 11 - Fax 030 21 80 569

www.metalwork.it - metalwork@metalwork.it

The dimensions shown in this catalogue are subject to variations at any time without prior notice