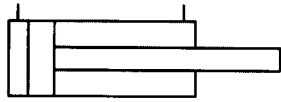
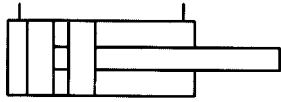


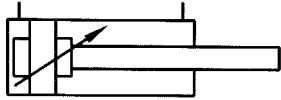
## Standard cylinder double acting, with or without cushioning



DUJ



DUMJ



DUDJ

DUJ

DUDJ with cushioning

DUHJ high temperature

DUMJ magnetic piston

DUVJ enforced piston rod



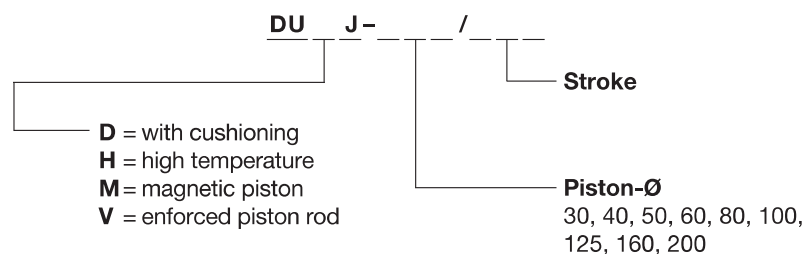
## Technical characteristics

General characteristics	
Design	Flange
Piston-Ø	30 ... 200 mm
Stroke	50 ... 500 mm *
Port size	G 1/4", G 1/2" starting piston-Ø 100 mm
Fixing	by accessories
Mounting position	any
Temperature range	-20 °C ... +80 °C (DUHJ up to +120 °C)
Materials used	Head and cap: aluminum Tube: hard anodized aluminum Piston rod: stainless steel Seals: NBR
Pneumatic characteristics	
Medium	Compressed air, filtered max. 50 µm
Operating pressure	0,2 ... 10 bar

\* larger strokes up to 1000 mm with enforced piston rod on request.

Standard strokes
50, 75, 100, 150, 200, 250, 300, 350, 400, 450, 500, 600, 700, 800

## Types

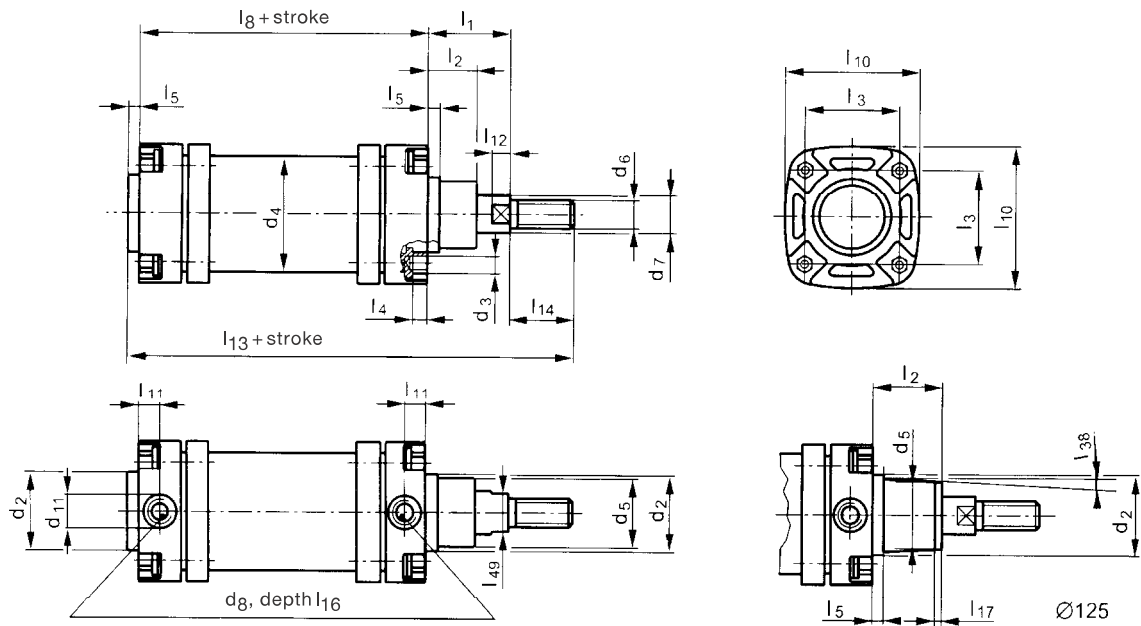




# Standard cylinder DU\_J

## Dimensions

### DUVJ



Piston-Ø	$l_1$	$l_2$	$l_3$	$l_4$	$l_5$	$l_6$	$l_{10}$	$l_{11}$	$l_{12}$	$l_{13}$	$l_{14}$	$l_{16}$
40 mm	43	29	44	10	7	72	65	13	8	147	25	15
50 mm	53	36	47	10	7	72	70	13	10	162	30	15
60 mm	53	36	56	10	7	72	80	13	10	162	30	15
80 mm	53	37	72	10	9	78	100	13	10	170	30	15
100 mm	72	52	88	12	10	102	124	19	13	224	40	20
125 mm	104	77	108	12	11	102	152	19	14	267	50	20

Piston-Ø	$l_{17}$	$l_{38}$	$l_{49}$	$d_{2, d_{10}}$	$d_3$	$d_4$	$d_5$	$d_6$	$d_7$	$d_8$	$d_{11}$
40 mm	–	–	14	42	M6	45	40	M12	16	G1/4	22
50 mm	–	–	17	47	M6	55	45	M16	20	G1/4	22
60 mm	–	–	17	47	M6	67	45	M16	20	G1/4	22
80 mm	–	–	22	55	M8	87	50	M20	25	G1/4	22
100 mm	8	5°	27	70	M10	107	58	M24	30	G1/2	30
125 mm	15	5°	32	85	M10	137	65	M30	35	G1/2	30

