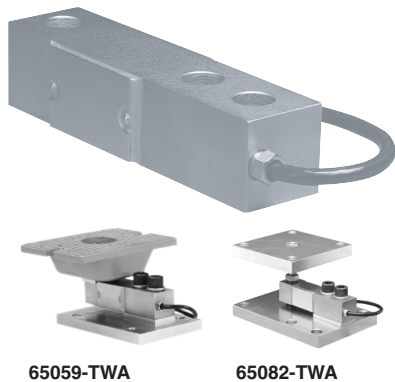


Shear Beam Load Cell



65059-TWA

65082-TWA



FEATURES

- Rated capacities of 250 to 20,000 pounds, 125 to 10,000kg
- "Thru" or "threaded" load hole configurations
- Low sensitivity to axial loads
- Low profile (ultra low available in 1000 to 2500 pound ranges)
- *Sensorgage™* sealed to IP67 standards
- Factory Mutual System Approved for Classes I, II, III; Divisions 1 and 2; Groups A through G. Also, non-incendive ratings (No barriers!).
- Trade certified for NTEP Class III:5000d, IIIIL:10000d and OIML R-60 3000d available

OPTIONAL FEATURES

- Stainless steel versions available
- 65059 TWA companion weighing assemblies available
- 65082 Tantomount companion weigh modules available

DESCRIPTION

Model 65023 is a low profile shear beam load cell designed for high accuracy platform scales, pallet scales and process weighing applications.

It has high immunity to shock or side loading and is available in 2 or 3mV/V sensitivity. Approved to OIML, NTEP standards. For hazardous environments this load cell is available with EEx ia IIC T6 level of European approval.

Nickel plating and full environmental sealing assures long term reliability. A stainless steel option is available for the lb versions for use in harsh or corrosive environments.

The two additional sense wires feed back the voltage reaching the load cell. Complete compensation of changes in lead resistance due to temperature change and/or cable extension is achieved by feeding this voltage into the appropriate electronics.

APPLICATIONS

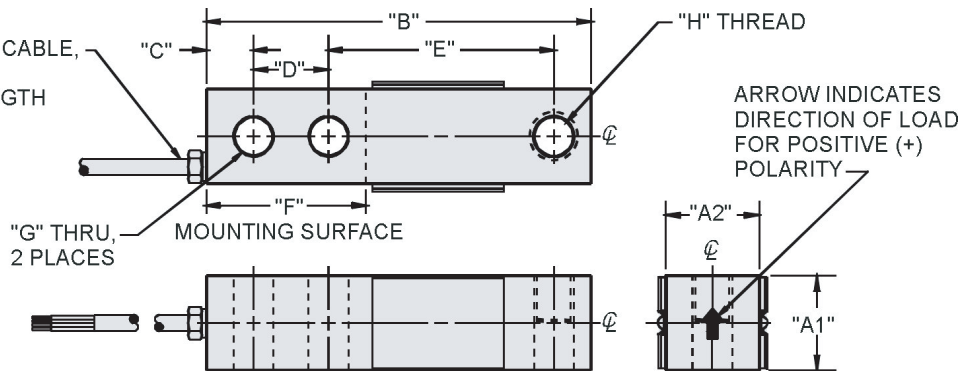
- Floor scales
- Tank weighing
- Bin and hopper weighing

OUTLINE DIMENSIONS in inches [mm]

4 CONDUCTOR; 22 AWG. CABLE, SHIELDED & JACKETED; 20 FOOT STANDARD LENGTH OR PER SALES ORDER.

Wiring

- | | |
|--------------|-------|
| + Excitation | Red |
| - Excitation | Black |
| + Output | Green |
| - Output | White |



CAPACITY	A1	A2	B	C	D	E	F	G	H	DEFLECTION	WEIGHT
250 - 500lbs	1.00	1.25	5.12	0.62	1.00	3.00	2.25	0.53	1/2-20 UNF-2B, Ø0.53 x 0.50 DP C'BORE	0.013	1.7
1K - 4K	1.25	1.25	5.12	0.62	1.00	3.00	2.25	0.53	1/2-20 UNF-2B, Ø0.53 x 0.62 DP C'BORE	0.017 - 0.025	4.0
5K - 10K	1.50	1.50	6.75	0.75	1.50	3.75	3.00	0.78	3/4-16 UNF-2B, Ø0.78 x 0.75 DP C'BORE	0.025 - 0.035	6.5
15K - 20K	2.00	2.00	8.88	1.00	2.00	4.88	4.00	1.03	1"-14 UNF-2B, Ø1.03 x 1.00 DP C'BORE	0.048 - 0.063	9.0
[125 - 250kg]	[25.0]	[31.0]	[130.0]	[16.0]	[25.0]	[76.0]	[57.0]	[13.0]	M12 x 1.75-6H, Ø13 x 15 DP C'BORE	[0.33]	[0.8]
[500 - 2t]	[32.0]	[32.0]	[130.0]	[16.0]	[25.0]	[76.0]	[57.0]	[13.0]	M12 x 1.75-6H, Ø13 x 15 DP C'BORE	[0.432 - 0.635]	[1.8]
[3t - 5t]	[38.0]	[38.0]	[171.0]	[19.0]	[38.0]	[95.0]	[76.0]	[20.7]	M20 x 2.5-6H, Ø20.5 x 19 DP C'BORE	[0.635 - 0.889]	[2.9]
[10t]	[51.0]	[51.0]	[226.0]	[25.0]	[51.0]	[124.0]	[102.0]	[25.0]	M24 x 2-6H, Ø25.4 x 25 DP C'BORE	[1.219 - 1.600]	[4.1]

Capacities are in pounds [kg/t]. Deflection is ±10%. Certified drawings are available.


SPECIFICATIONS

PARAMETER	VALUE				UNIT
Rated capacity-R.C. (E_{max})	250, 500, 1K, 1.5K, 2K, 4K, 5K, 10K, 15K, 20K 125, 250, 500, 750, 1000, 2000, 5000, 10,000*				lbs kg
NTEP/OIML Accuracy class	NTEP III	NTEP IIII	Standard	OIML R60	
Maximum no. of intervals (n)	3000 single	10000 multiple		3000*	
$Y = E_{max}/V_{min}$	NTEP Cert. No. 86-044A2			6250	Maximum available
Rated output-R.O.	3.0				mV/V
Rated output tolerance	0.25				±% mV/V
Zero balance	1.0				±% FSO
Combined error	0.02	0.02	0.03	0.02	±% FSO
Non-repeatability	0.01				±% FSO
Creep error (30 minutes)	0.025	0.03	0.03	0.017	±% FSO
Temperature effect on zero	0.0010	0.0010	0.0015	0.0010	±% FSO/°F
Temperature effect on output	0.0008	0.0008	0.0008	0.0007	±% of load/°F
Compensated temperature range	14 to 104 (-10 to 40)				°F (°C)
Operating temperature range	0 to 150 (-18 to 65)				°F (°C)
Storage temperature range	-60 to 185 (-50 to 85)				°F (°C)
Sideload rejection ratio	500:1				
Safe sideload	100				% of R.C.
Maximum safe central overload	150				% of R.C.
Ultimate central overload	300				% of R.C.
Excitation, recommended	10				Vdc or Vac rms
Excitation, maximum	15				Vdc or Vac rms
Input impedance	343 - 357				Ω
Output impedance	349 - 355				Ω
Insulation resistance at 50VDC	>1000				MΩ
Material	Nickel plated alloy tool steel**				
Environmental protection	IP67				
Recommended torque	All capacities up to 5000kg - 136.0 5000kg - 205.0				N*m

Note: * OIML approval 1-10K & 500-5000kg only

** Stainless steel available

FSO - Full Scale Output

All specifications subject to change without notice.



Notice

Specifications of the products displayed herein are subject to change without notice. Vishay Intertechnology, Inc., or anyone on its behalf, assumes no responsibility or liability for any errors or inaccuracies.

Information contained herein is intended to provide a product description only. No license, express or implied, by estoppel or otherwise, to any intellectual property rights is granted by this document. Except as provided in Vishay's terms and conditions of sale for such products, Vishay assumes no liability whatsoever, and disclaims any express or implied warranty, relating to sale and/or use of Vishay products including liability or warranties relating to fitness for a particular purpose, merchantability, or infringement of any patent, copyright, or other intellectual property right.

The products shown herein are not designed for use in medical, life-saving, or life-sustaining applications. Customers using or selling these products for use in such applications do so at their own risk and agree to fully indemnify Vishay for any damages resulting from such improper use or sale.